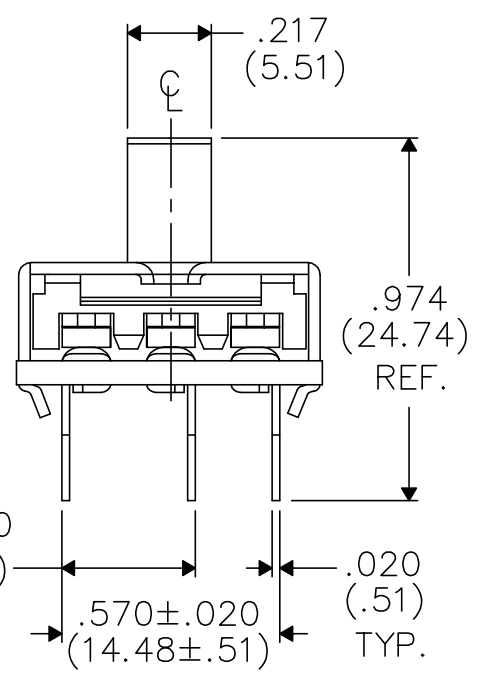
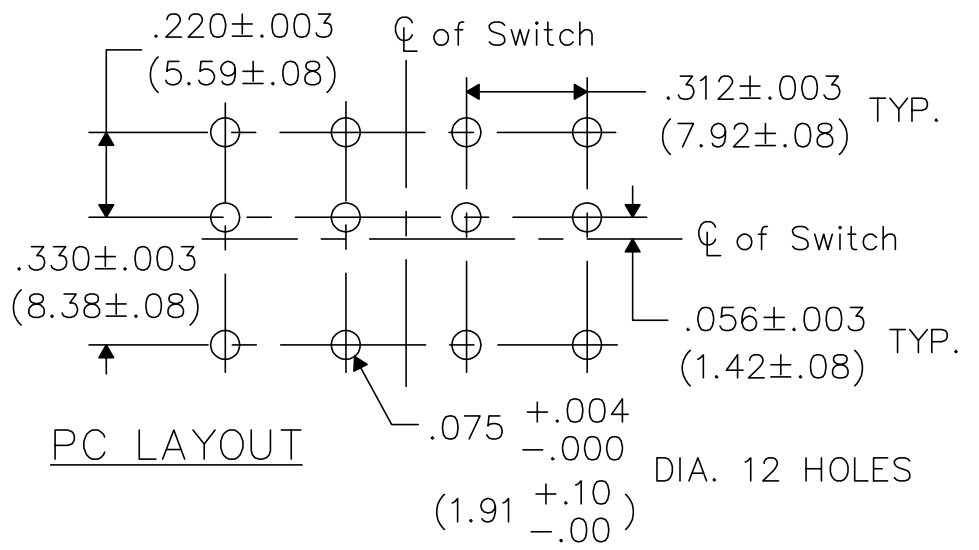
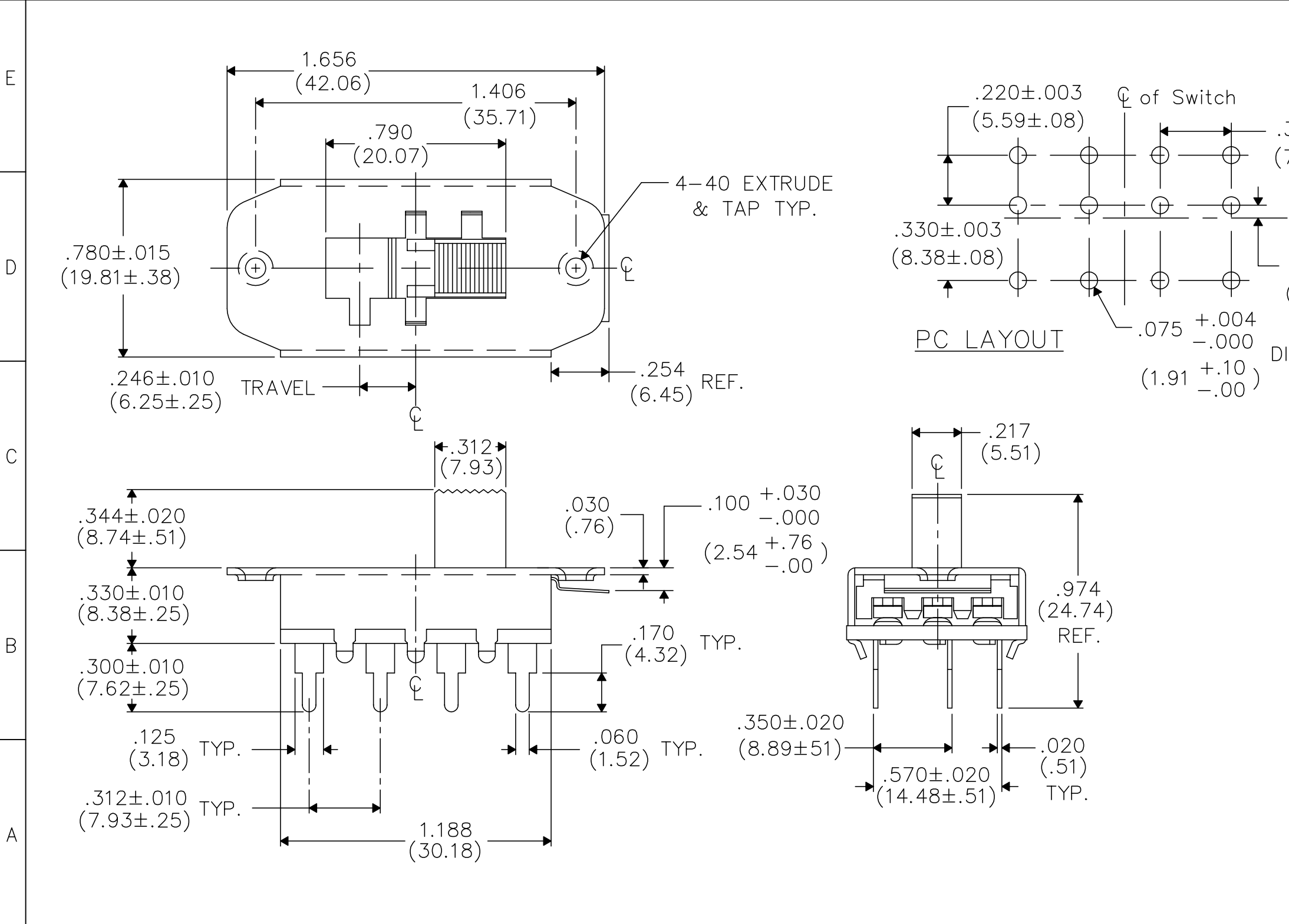


DIMENSIONS IN INCHES (MILLIMETERS)
DO NOT SCALE DRAWING

Dwg. No.
G-668L-0005



1 2 3 4 5 6 7 8 9 10

B-FORMAT 2002	REVISIONS	0	
		RELEASED. DGW 3-04-2004 Mar. 10, 2004	

PDF File Made	CW INDUSTRIES Southampton, Pa. 18966		Title: SLIDE SWITCH 3 POLE/3 POSITION LONG DETENT
	TOLERANCES UNLESS OTHERWISE SPECIFIED		
	2 Place Decimal ±.010	METRIC	Division: SWITCH
	3 Place Decimal ±.005	1 Place Dec. ±.25mm 2 Place Dec. ±.13mm	
Made for: CW IND.	Drawn by: DGW 3-04-2004	Dwg. No. G-668L-0005	
Checked by: GG 3-10-04	Approval: BF 3-10-4		